

Antenna offset 06-0525 D

Diameter	0.6 m
Standard colour	RAL 7035
Antenna Input	Interface for N type connector
Polarization	dual

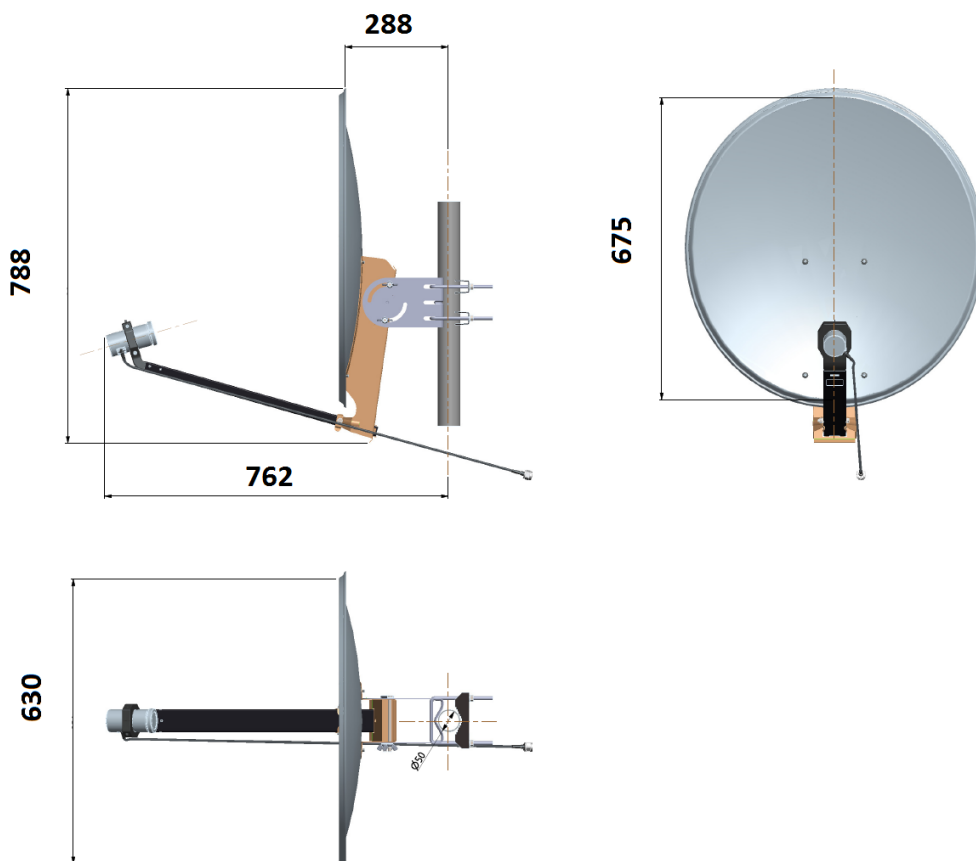
Mechanical Characteristics

Pole	50÷90 mm
Elevation- adjustment	-15°÷80°
Wind load @ 120 km/h [worst-case]	46 Kg
Net weight	4.6 Kg

Antenna Dimensions

(pole mount included)

Height	788.0 mm
Width	630.0 mm
Depth	762.0 mm



Electrical Characteristics

Frequency band	5.25-5.85 GHz
Gain, low band	26.7 dBi
Gain, mid band	27.0 dBi
Gain, top band	27.3 dBi
R.L.	9.5 dB
VSWR	2
Half power beam width (HPBW)	6°
Front-to-back ratio	24 dB
Isolation	35 dB
Cross Polarization Discrimination (XPD)	30 dB on axis

