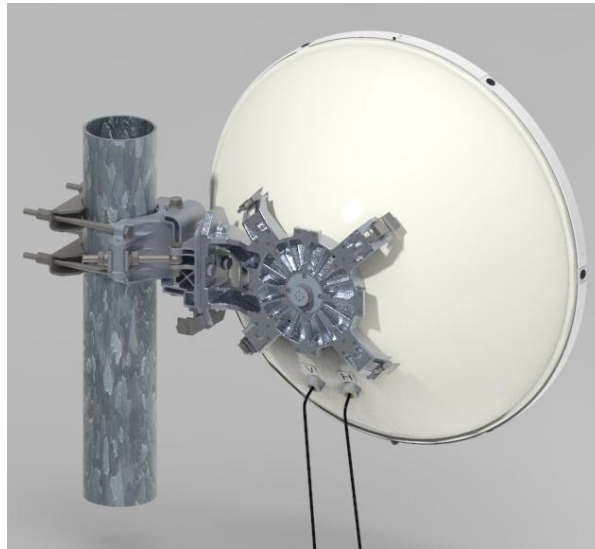



Antenna FIA06-80S5D



 General Specifications

Diameter	0.6 m
Standard Colour	White
Antenna Input	N male connectors @ 5 GHz, One rectangular port @ 80 GHz.
	Interfaces are customized according to Customer's specifications
Polarization	Linear Dual pol. (V / H) @ 5 GHz, Linear Single pol. @ 80 GHz

 Mechanical Characteristics

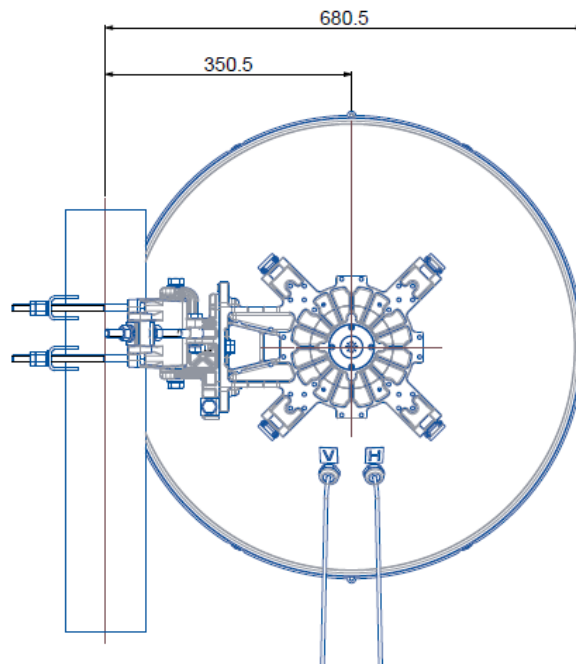
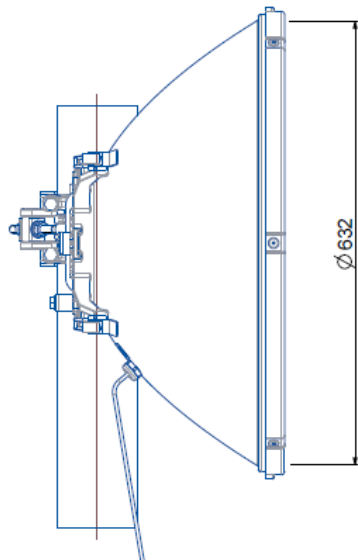
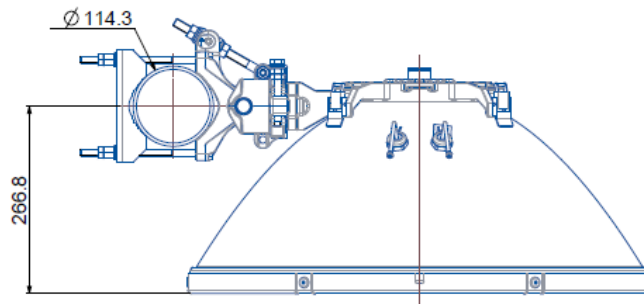
Pole	50 ÷ 114 mm
Elevation-fine adjustment	± 15°
Azimuth-fine adjustment	± 20°
Side struts, included	0
Side struts, optional	0
Net weight	12 Kg
Radome	Rigid Plastic
Wind velocity Operational (1,2)	45 m/s
Wind velocity Survival Rating (1,3)	70 m/s

- (1) maximum wind ratings apply at the antenna installed on a 114mm dia. pole
- (2) antenna deflection < 0.3 times the -3 dB beam width
- (3) wind speed applicable to the antenna with 25mm of radial ice



Antenna Dimensions^(*) (pole mount included)

Height	652 mm
Width	680.5 mm
Depth	267 mm





Wind forces at wind velocity survival rating and with 25 mm (1") ice load

Axial force	1120 N
Side force	556 N
Twisting moment	408 N m

Maximum forces exerted on a supporting structure as a result of wind (survival rating) from the most critical direction for each parameter. These values may not occur simultaneously. All forces are referred to the mounting pipe of 115 mm diameter.



Electrical Characteristics

Frequency range	5.15-5.9 GHz / 71-86 GHz
Gain @ 5 GHz	26 dBi +/-2 dB
Gain @ 80 GHz	49 dBi +/-2 dB
R.L.	-13 dB (@ 5 GHz) / -14 dB (@ 80GHz)
V.S.W.R.	1.6:1 (@5 GHz) / 1.5:1 (@80GHz)
HPBW	6.3° (@15 GHz) / 0.4° (@80 GHz)
Front-to-back ratio	50 dB (@5 GHz) / 68 dB (@80 GHz)
Isolation (5 GHz)	30 dB
XPD	30 dB (@5 GHz) / 27 dB (@ 80 GHz)
	ETSI 302 217 Class 3, FCC 101.115 (71-86 GHz)
Electrical Compliance	ETSI 302 217 Class 2 (5 GHz)



Shipping Information

Gross weight	15 Kg
Height	420 mm
Width	750 mm
Depth	750 mm

